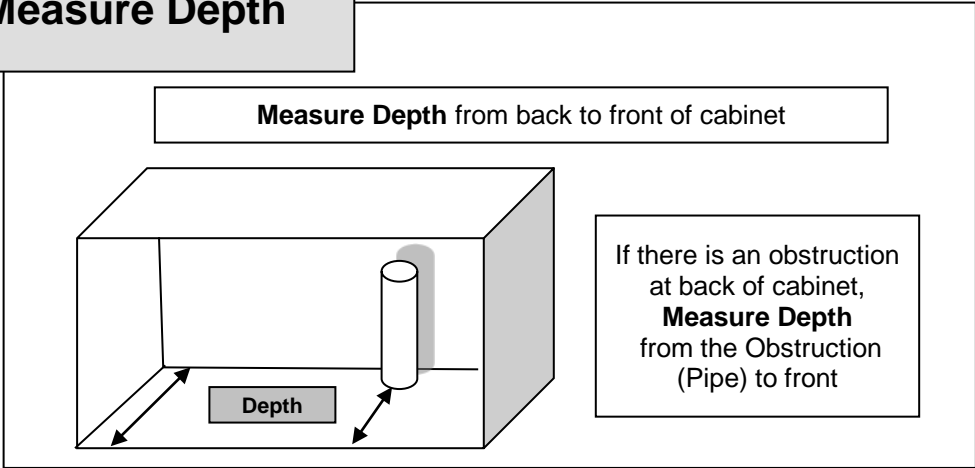
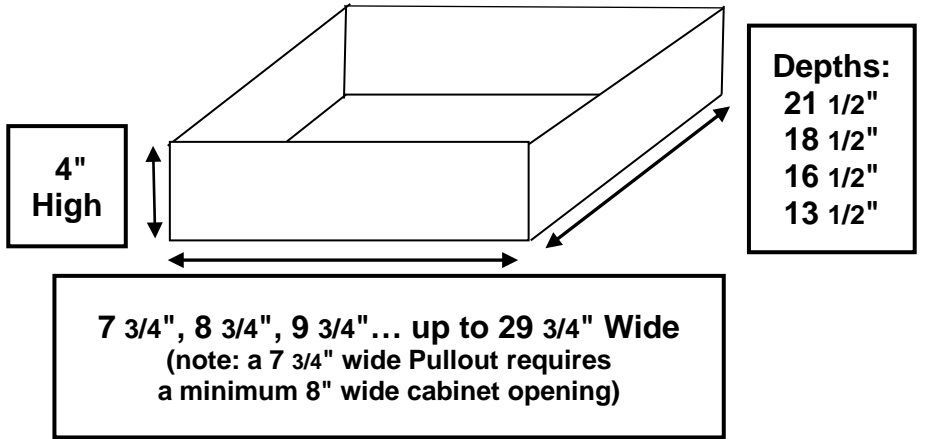


Easy "1 - 2 - 3" Measuring Instructions

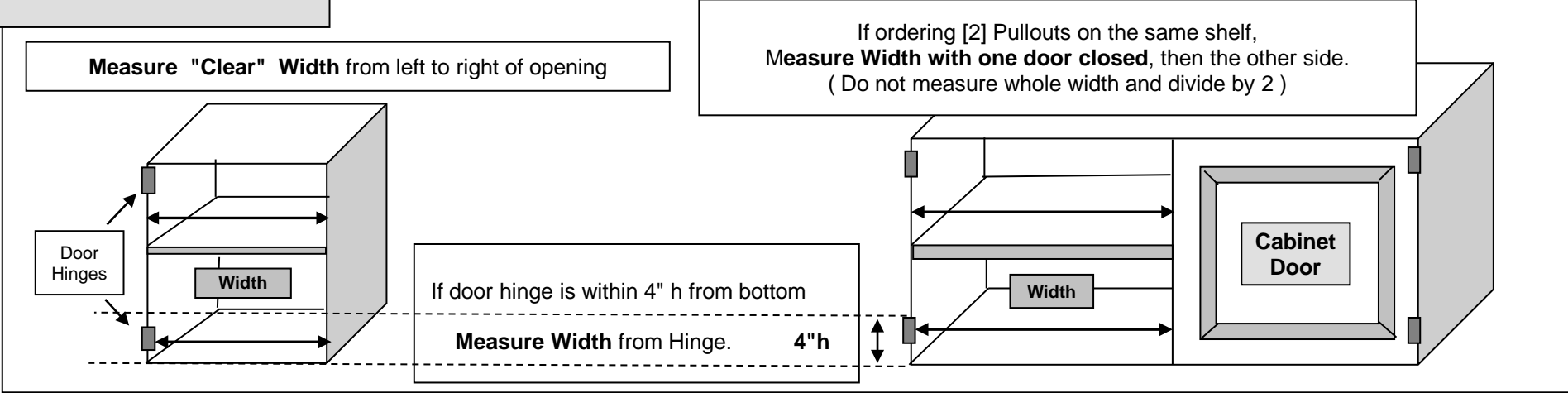
1. Measure Depth



Easy Pullout Shelf Specifications



2. Measure Width



3. Order Your Easy Pullout:

First ... choose the style of the Front piece ... either Flat or with a Curve Handhold.

Next ... select the largest Pullout depth that will fit within the cabinet 21 1/2", 18 1/2", 16 1/2" or 13 1/2" deep.

Lastly ... select the Width of Cabinet Opening ... from as small as 8" wide ... up to 30" wide.